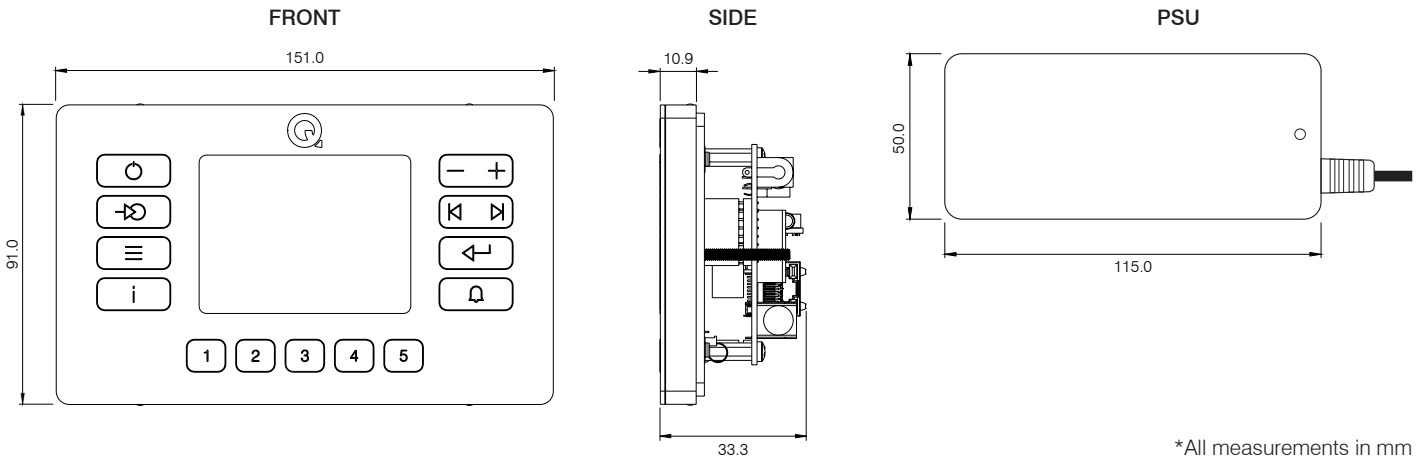


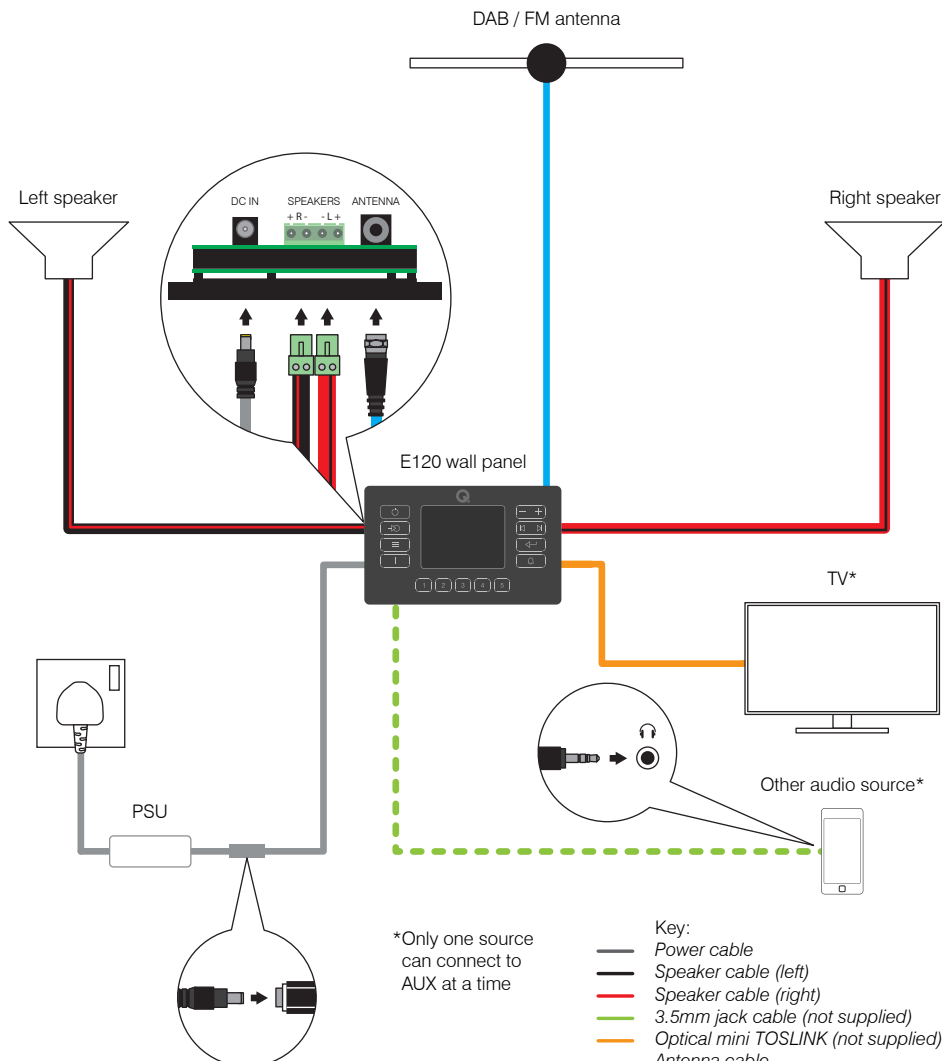
Specification Data Sheet - Revision 1.0 December 2021
 Armour Home Electronics R&D Department



*All measurements in mm

E120 is a DAB+ / FM / Bluetooth and line input installed Hi-Fi. The main wall panel is fitted into a standard UK 45mm double gang wall box and can be used with a suitable pair of passive speakers; cables and back box are provided with the system. The main wall panel is IP54 rated, making E120 suited to bathroom and kitchen installations. A splash proof remote control is also provided for easy control of main functions.

Wiring diagram



Specifications				
Audio Sources	DAB / DAB+ / FM with RDS	F-connector		
	Bluetooth	Wireless	BT 5.0 A2DP	
	AUX:			
	- Analogue	3.5mm stereo	Sensitivity: 350mV Max level: 1.5V Impedence: 10kΩ	
	- Optical	mini TOSLINK	Resolution: 16bit 48kHz	
Audio Outputs	Speaker outputs	Left & Right	Stereo or dual mono	
	Analogue line	3.5mm stereo	Modes: Fixed or variable Max level: 670mV	
Amplifier	Class D	Continuous power	2 x 25W @ 6Ω	
		THD	0.07% @ 1W 0.2% @ rated power	
		SNR	>75dB @ rated power	
		Frequency response	20Hz - 20kHz +/- 1dB	
Ratings	E120 wall panel	IP54		
	Splash proof remote	IP54		
Control	Touch sensitive buttons	x 15		
	IR remote control	x 13		
	BT AVRCP	v1.6 (play, pause, skip, track, artist, album name)		
	Menu languages	English, German, Dutch, French, Danish, Spanish Italian, Norwegian, Polish, Finnish		
	Alarms	x2 once, daily, weekdays, weekends		
General	Power supply	Input	100 - 240V AC 50/60 Hz	
		Output	22V DC 1.5amps	
		Dimensions (HxWxD)	30mm x 50mm x 115mm	
	Power consumption	Typical	10W	
		Standby	<1W	
		Deep standby	<0.5W	
	Wall panel	Net weight	0.251kg	
		Dimensions (HxWxD)	91mm x 151mm x 33mm	
Operating ambient temperature		Max. 40 °C		
Cables	Speaker cable	Gauge	19 AWG	
		Lengths	2 x 7m	
	DC extension	Gauge	16 AWG	
		Lengths	5m	
		Connectors	5.5mm x 2.5mm DC male	
			5.5mm x 2.5mm DC female	